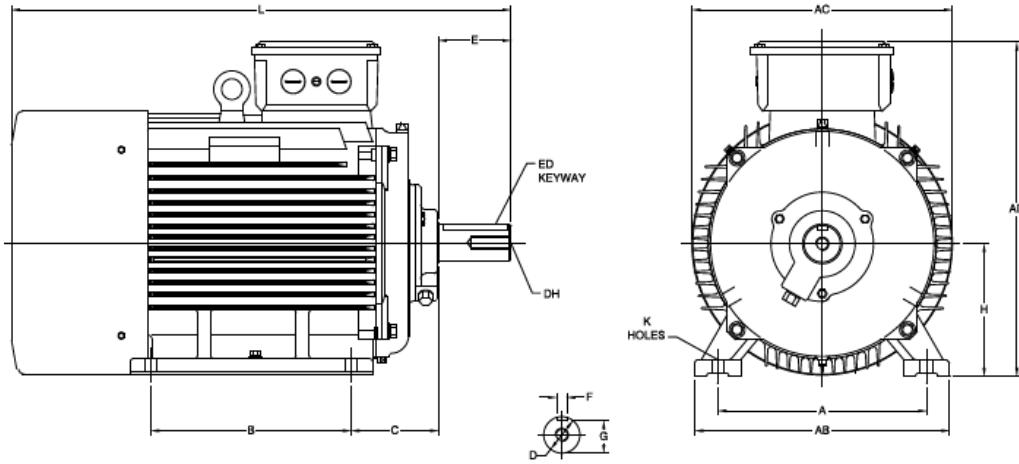


TESLA

MOTORS & DRIVES

Tabla de dimensiones IEC

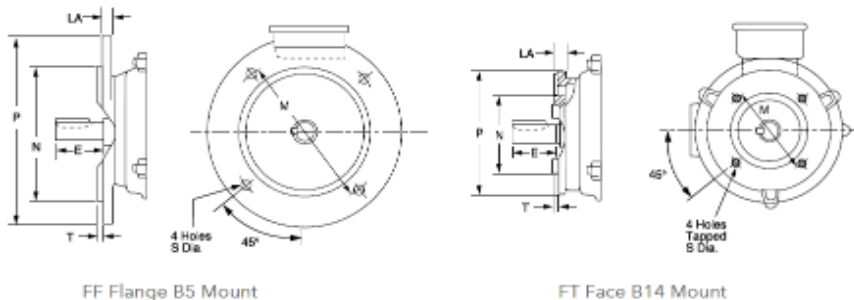


FRAME	MOUNTING						SHAFT						GENERAL			B5 (FF) FLANGE						B14 (FT) FACE					
	A	B	C	H	AB	K	D	E	F	G	ED	DH	AC	AD	HD	M	N	P	S	T	LA	M	N	P	S	T	LA
63	100	80	40	63	119	7	11	23	4	8.5	10	M4 x 10	126	-	169	115	95	140	10	3.0	7	75	60	90	M5	2.5	7
71	112	90	45	71	131	7	14	30	5	11.0	20	M5 x 12.5	140	-	186	130	110	160	10	3.5	7	85	70	105	M6	2.5	9
80	125	100	50	80	157	10	19	40	6	15.5	25	M6 x 16	158	132	212	165	130	200	12	3.5	12	100	80	120	M6	3.0	9
90S	140	100	56	90	174	10	24	50	8	20.0	32	M8 x 19	178	140	230	165	130	200	12	3.5	12	115	95	140	M8	3.0	9
90L	140	125	56	90	174	10	24	50	8	20.0	32	M8 x 19	178	140	230	165	130	200	12	3.5	12	115	95	140	M8	3.0	9
100L	160	140	63	100	205	12	28	60	8	24.0	40	M10 x 22	215	178	278	215	180	250	15	4.0	11	130	110	160	M8	3.5	14
112M	190	140	70	112	245	12	28	60	8	24.0	40	M10 x 22	220	190	302	215	180	250	15	4.0	12	130	110	160	M8	3.5	11
132S	216	140	89	132	280	12	38	80	10	33.0	56	M12 x 28	275	210	342	265	230	300	15	4.0	12	165	130	200	M10	3.5	14
132M	216	178	89	132	280	12	38	80	10	33.0	56	M12 x 28	275	210	342	265	230	300	15	4.0	12	165	130	200	M10	3.5	14
160M	254	210	108	160	325	15	42	110	12	37.0	80	M16 x 36	325	254	414	300	250	350	19	5.0	13	215	180	250	M12	4.0	13
160L	254	254	108	160	325	15	42	110	12	37.0	80	M16 x 36	325	254	414	300	250	350	19	5.0	13	215	180	250	M12	4.0	13
180M	279	241	121	180	335	15	48	110	14	42.5	80	M16 x 36	360	310	490	300	250	350	19	5.0	15						
180L	279	279	121	180	335	15	48	110	14	42.5	80	M16 x 36	360	310	490	300	250	350	19	5.0	15						
200L	318	305	133	200	395	19	55	110	16	49.0	100	M20 x 42	400	340	540	350	300	400	19	5.0	19.5						
225S	356	286	149	225	435	19	55 ^{1/2}	110 ^{1/2}	16 ^{1/2}	49 ^{1/2}	100 ^{1/2}	M20 x 42	445	414	639	400	350	450	19	5.0	21.0						
							60	140	18	53	125																
225M	356	311	149	225	435	19	55 ^{1/2}	110 ^{1/2}	16 ^{1/2}	49 ^{1/2}	100 ^{1/2}	M20 x 42	445	414	639	400	350	450	19	5.0	21.0						
							60	140	18	53	125																
250M	406	349	168	250	490	24	60 ^{1/2}	140	18	53 ^{1/2}	125	M20 x 42	500	440	690	400	350	450	19	5.0	21.0						
							65	140	18	58																	

**NOT
DEFINED
BY
IEC 72**

*2 Pole Dimensions

1mm = .03937", 1" = 25.4mm



FF Flange B5 Mount

FT Face B14 Mount